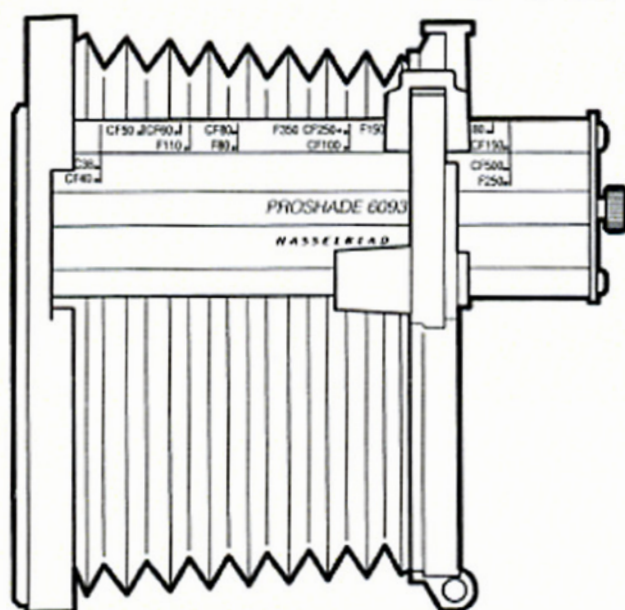


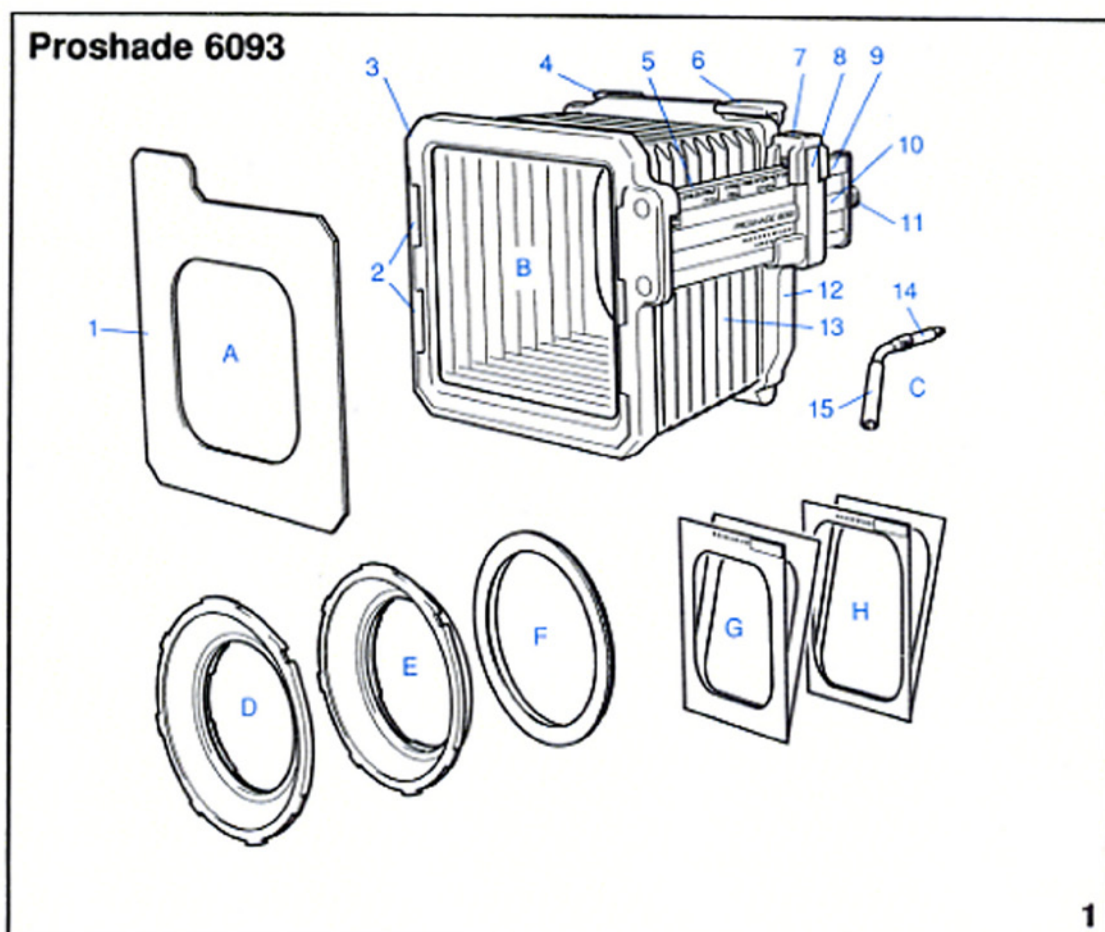
H A S S E L B L A D

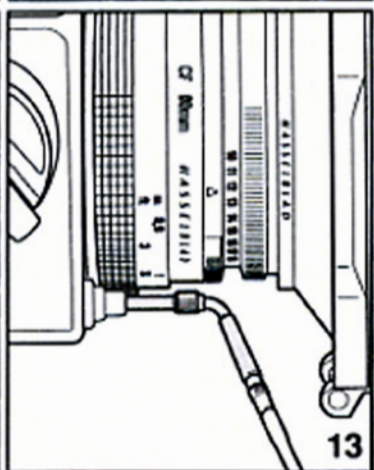
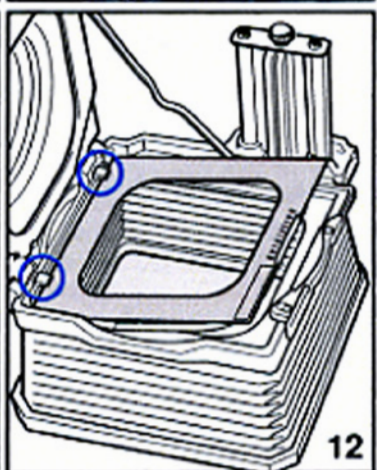
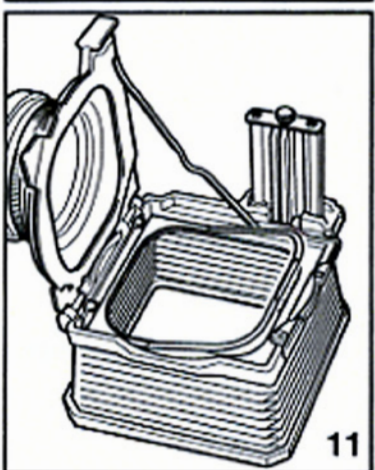
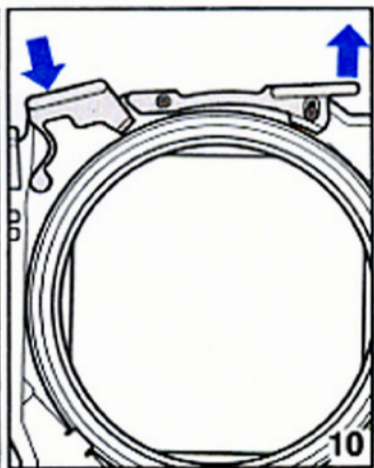
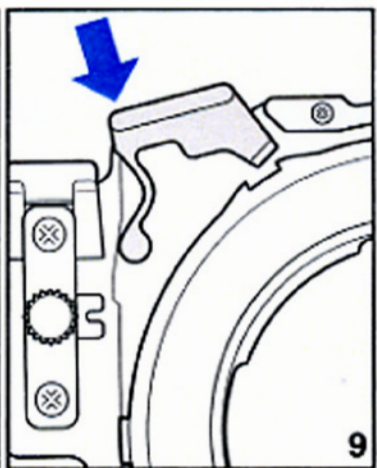
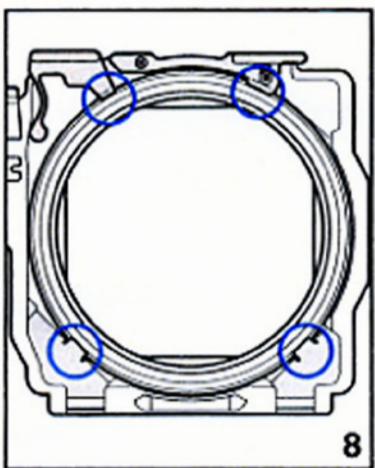
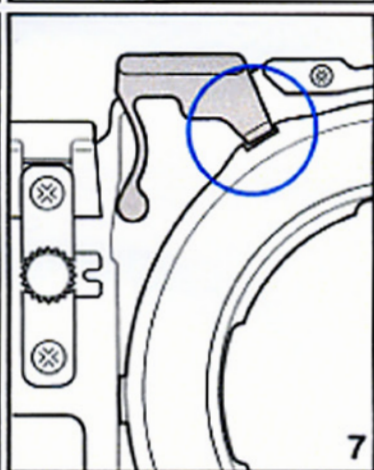
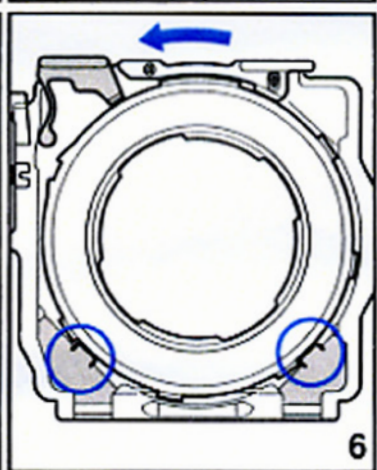
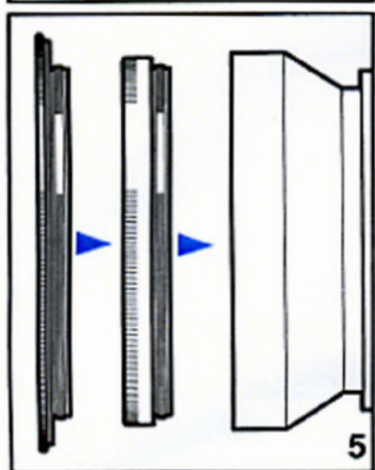
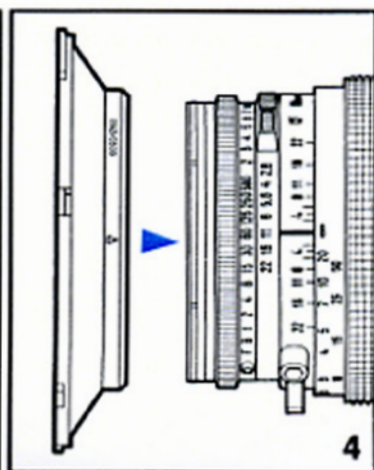
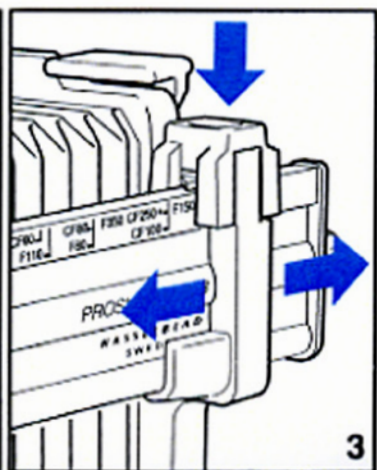
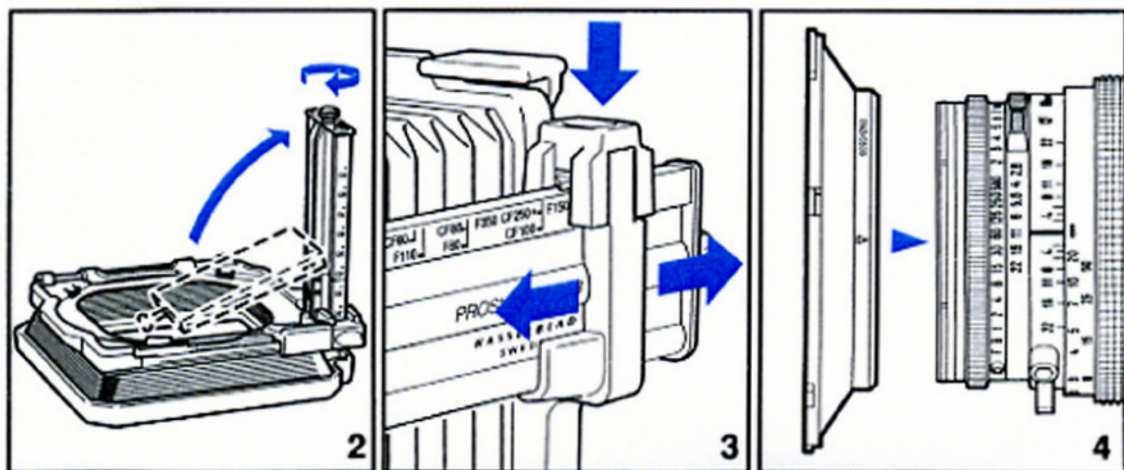
Proshade 6093



Instruction Manual
Gebrauchsanweisung
Mode d'emploi
Manual de instrucciones
Bruksanvisning

40738





Hasselblad Proshade 6093

The Hasselblad Proshade 6093 delivery kit includes

- A. Mask for Sonnar CF 250 and CF 250 Sa lenses
- B. Proshade 6093 Professional Lens Shade
- C. Open - L Connector

Accessories, not included in the delivery kit:

- | | |
|--------------------------------------|----------------|
| D. Proshade Adapter 6093/Ø 60, | Cat. No. 40741 |
| E. Proshade Adapter 6093/Ø 70, | Cat. No. 40744 |
| F. Proshade Adapter 6093/Ø 93, | Cat. No. 40746 |
| G. Gelatin Filter Mount 6093/75 mm, | Cat. No. 51705 |
| H. Gelatin Filter Mount 6093/100 mm, | Cat. No. 51708 |

The adapters D - F above fit the CF, F and F/TCC lenses only. See the chart on page 28 for full information on adapters for all Hasselblad lenses.

Parts and Components

- | | |
|--|-------------------------------------|
| 1. Mask for Sonnar CF and C 250mm lenses | 9. Focal Length and Lens Type Scale |
| 2. Mask Mount | 10. Guide Bar |
| 3. Front Frame | 11. Guide Bar Locking Screw |
| 4. Filter Holder Catch | 12. Rear Frame with Filter Holder |
| 5. Extension scale | 13. Bellows |
| 6. Lens Adapter Mount Catch | 14. Connector Nipple |
| 7. Rear Frame Brake Button | 15. L Connector Member |
| 8. Rear Frame Guide | |

NOTE: In the text the positions of the components are described as you see them when taking a photograph, i.e. lens on the front, viewfinder on the top and crank to the right.

4

Hasselblad Proshade 6093

The versatile Hasselblad Proshade 6093 professional bellows lens shade is a very useful accessory for the professional as well as the advanced amateur Hasselblad photographer. Combined with different adapters it fits all Hasselblad lenses with focal lengths from 38 mm and up to 500 mm. It gives you total control of the lens shading and prevents degrading of the image from stray light or direct light on the lens surface.

The Proshade 6093 can also be used with different kinds of filters: Bayonet mount filters on the lens front, Ø93 filters behind the Ø93 lens adapter, gelatin or rigid resin filters in the filter holder. The Hasselblad Ø93 Polarizing filter can be used and operated with the Proshade 6093 still attached. Lens front bayonet mount filters can be attached or changed without detaching the Proshade 6093. Self adhesive filter mounts for 75 mm and 100 mm gelatin filters are available. Rigid optical resin filters or four gelatin filter mounts up to a total thickness of of 4 mm can be inserted at the same time. The use of high quality rigid optical resin filters, such as the Hasselblad ProSoft and Sinar Color Control series is highly recommended to meet the ultimate photographic requirements.

Setting up the Proshade 6093

To be able to use the Proshade 6093 on any of the Hasselblad lenses, listed in the chart on page 28, you will also need the adapter combination, listed for that particular lens.

In delivery condition the guide bar of the Proshade 6093 is folded down for a minimum of stowage space (fig. 2).

To set it up:

1. Fold up the guide bar until the locking screw snaps in place (fig. 2).
2. Tighten the locking screw by turning it clockwise until it stops (approx. 4 turns).
3. The rear frame guide (fig. 3) has a brake to retain it in the set position. To change the setting, grip the rear frame guide by top and bottom and squeeze it to depress the rear frame brake button and release the brake.
4. Slide the frame along the guide bar to align the front edge of the frame guide with the desired extension or lens mark.

NOTE: The frame guide can be pushed along the guide bar without releasing the brake. This causes no damage to any part of the Proshade 6093.

At this stage the suitable lens adapter can be attached. It is, however, much easier to first attach the adapter to the lens and then attach

ⓄB

the Proshade 6093 to the adapter on the lens.

Attaching the lens adapter

A. The Proshade 6093/Ø60 and /Ø70 bayonet type adapters:

1. Align the triangular index mark (fig. 4) on the outside of the lens interface bayonet mount of the adapter with the central index line on the lens.

2. Push the adapter onto the lens front bayonet mount and turn it counter-clockwise, as seen from behind, until it stops (approx. 1/8 turn).

B. The Proshade 6093/Ø93 thread mount adapter:

To attach this adapter, you need the rear ring of the lens shade Ø93/40, /50 or /350-500 (fig. 5).

1. Screw the Proshade 6093/Ø93 adapter into the thread of the lens shade ring.

2. Screw the adapter/ring assembly into the front thread of the lens.

NOTE: Observe carefully that the threads engage properly. Do not use force to make them engage but disassemble and restart if they engage wrongly or run stiffly.

Attaching the Proshade 6093

A. To the Proshade 6093/Ø60 and /Ø70 bayonet type adapters (fig. 6)

1. Align the top of the Proshade 6093 with the wide bayonet lug of the adapter.

2. Push the Proshade 6093 against the adapter and check that all bayonet lugs make contact with the metal plate in the rear frame.

3. Turn the Proshade 6093 counter-clockwise until the adapter mount catch locks in the recess (fig. 7)

B. To the Proshade 6093/Ø93 thread type adapter (fig. 8):

1. Insert the flange of the 6093/Ø93 adapter under the lower bayonet lugs of the Proshade rear frame.

2. Keep the adapter mount catch depressed and tilt the Proshade against the adapter. Release the catch to retain the Proshade on the adapter.

3. Adjust the Proshade by depressing the adapter mount catch lightly and turning the shade to the desired position.

Proshade 6093 on Sonnar CF 250mm lens

With the Proshade 6093 on the Sonnar CF 250mm and Sonnar CF 250mm Sa lenses the special mask (A, fig. 1) included in the delivery kit should be used for maximum shading. This is indicated by the + mark (CF 250+) in the lens scale on the guide bar. Attach the mask by sliding it down the mask

6

mount slots in the front frame until it positively stops. The grip lug extends above the frame as a reminder that the mask is installed.

Detaching the Proshade 6093

The Proshade 6093 can be detached from the lens with the lens adapter retained either on the Proshade or on the lens.

A. To keep the adapter on the Proshade:

Turn the Proshade clockwise; about 1/8 turn with the Ø60 or Ø70 adapters or about 2 turn with the Ø93 adapter.

B. To leave the adapters on the lens:

1. Ø60 or Ø70 bayonet mount adapters:

Keep the adapter mount catch depressed to release the Proshade from the adapter while you turn it clockwise about 1/8 turn (fig. 9).

2. Ø93 thread mount adapter:

Keep the adapter mount catch depressed and lift the filter mount catch slightly while you tilt the Proshade forwards (fig. 10).

Using gelatin or rigid resin filters

Included in the rear frame of the Proshade is the filter holder, which accepts 100mm square resin or gelatin filters. The thin gelatine filters, such as the Kodak Wratten filters, should be mounted in the Hasselblad self-adhesive filter mounts, which are available for 75mm

and 100mm gelatine filters. Rigid optical resin filters, such as the highly recommended Hasselblad ProSoft and Sinar Color Control series or multiple filter combinations are accepted up to a maximum thickness of 4mm. To open the filter holder, lift the filter holder catch and allow the bellows part to swing down, giving access to the filter holder (fig. 10). Place the filter in the filter holder and close the Proshade carefully, observing that the filter mount catch snaps in behind the adapter flange or bayonet lug.

The "swing-down" function is also useful when you want to focus without the filter effect, e.g. with the soft focus or neutral grey filters, or if you want to change filter on the front bayonet of the lens.

Using Ø93 Polarizing Filter

The Hasselblad Ø93 Polarizing filter is attached to lens and Proshade in the same manner as the Proshade Ø93 lens adapter. For further information see the manual for the Polarizing filter.

Using a cable release

With the Proshade 6093 attached, the space between the rear frame of the shade and the exposure release button on the manually operated Hasselblad models is limited. When using a cable release you are recommended

to attach the open-L connector in the delivery kit (C, fig. 1). Screw the nipple end into the exposure release button and the release cable into the L connector member (fig.13).

Special instructions and limitations

During attachment of the Proshade to any of the shorter lenses (Planar CF 80 or 100) the shade should be extended at least 30 mm to avoid interference between the guide bar and the focusing hood.

A manually operated Hasselblad camera model on the flashgun bracket combined with any of the lenses Distagon CF 40 or CF 60 or Planar CF 80 or F 80 and Proshade 6093 leaves very little room for the fingers between the bracket handle and the guide bar. More finger room is obtained if the Proshade is turned 90° or 180° when attached, i.e. the guide bar underneath or to the right. This, however, rules out the use of the quick-focusing handle.

On the Distagon CF 40 mm (FLE) the Proshade interferes with the quick-focusing handle and obstructs the focusing approx. 25 mm before the normal close-up limit of the lens is reached.

7 8

The Hasselblad Proshade 6093 System
Le système Hasselblad Proshade 6093
Hasselblad Proshade 6093 systemet

Das Hasselblad Proshade 6093 System
El sistema Hasselblad Proshade 6093

Hasselblad lens Objektiv/objectif/objetivo	A			B	
	Ø 60	Ø 70	Ø 93	75	100
Biogon CF f/4,5 38mm	X	—	—	—	X
Distagon CF f/4 40 mm	—	—	X	—	X
Distagon CF f/4 50 mm	X	—	—	—	X
Distagon CF f/3.5 60 mm	X	—	—	X	X
Planar CF f/2.8 80 mm	X	—	—	X	X
Planar CF f/3.5 100 mm	X	—	—	X	X
Makro-Planar CF f/4 120 mm	X	—	—	X	X
Sonnar CF f/4 150 mm	X	—	—	X	X
Sonnar CF f/4 180 mm	X	—	—	X	X
Sonnar CF f/5.6 250 mm	X	—	—	X	X
Sonnar CF f/5.6 250 mm Sa	X	—	—	X	X
Tele-Tessar CF f/5.6 350 mm	—	—	X	—	X
Tele-Apotessar CF f/5.6 500 mm	—	—	X	—	X
Planar F f/2.8 80 mm TCC	X	—	—	X	X
Planar F f/2 110 mm TCC	—	X	—	—	X
Sonnar F f/2.8 150 mm TCC	—	X	—	X	X
Tele-Tessar F f/4 250 mm TCC	—	X	—	—	X
Tele-Tessar F f/4 350 mm TCC	—	—	X	—	X
(UV-Sonnar CF f/4.3 105 mm)	X	—	—	X	X
(Makro-Planar CF f/5.6 135 mm)	X	—	—	X	X
(Variogon CF f/5.6 140-280 mm)	—	—	X	—	X
(Distagon F f/2.8 50 mm TCC)	—	—	X	—	X

A: Adapter
 Adapteur
 Adaptador

B: Filter mount
 Filtrerrahmen
 Support pour filtre
 Soporte para filtro
 Gelatinfilterram

28

Lenses within brackets are not represented among the extension markings on the guide bar.
 All C-lenses with Ø50 front bayonet need the Ø50–Ø60 Step-up Ring, Cat.No. 40711,
 combined with the Proshade Ø60 Lens Adapter.

The front rotates when the lens is focused

Use the Proshade CF&C/250 Mask