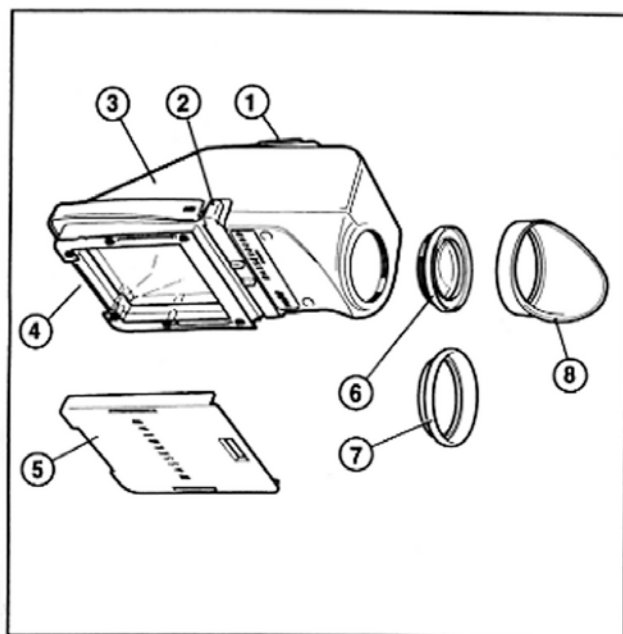


PM 90

Instruction Manual
Gebrauchsanweisung
Mode d'emploi
Manual de instrucciones
Bruksanvisning



Hasselblad Prism Viewfinder PM 90 (42288)

Prism Viewfinder PM 90 (42288)



Parts and Components

- | | |
|----------------------------------|-----------------------------|
| 1. Accessory Shoe | 5. Protective Cover |
| 2. Magazine Catch Release Button | 6. Interchangeable Eyepiece |
| 3. Viewfinder Body | 7. Protective Rubber Ring |
| 4. TCC Display Recess | 8. Rubber Eyecup |

Hasselblad Prism Viewfinder PM 90

The Hasselblad PM 90 is a low profile prism viewfinder with viewing in line with the photographing direction for eye-level position of the camera, specially suitable for shifting between portrait and landscape format orientation with the 6 x 4.5 cm (2 1/4 x 1 5/8 in.) image format. The 2x enlarged unreversed image covers the entire focusing screen including the viewfinder display in the 205TCC camera. The large, easily interchangeable eyepiece is specially designed to give an image without vignetting for viewers with eyeglasses. Eyepieces with corrective power ranging from - 4 to + 3 diopters are available for users who wish to compensate for their individual vision. Due to its low profile the PM 90 has to be detached from the camera when the Film Magazine 70 or the Polaroid 100 Film Magazine is used.

Attaching the PM 90

1. Remove the magazine from the camera body.
2. Push the attached viewing accessory rearwards out of the viewfinder mount.
3. Insert the PM 90 with the edges of the retaining plate in the viewfinder mount groves.

4. Slide the PM 90 forwards until it positively stops.
5. Re-attach the magazine. Use the magazine catch button to operate the magazine catch and verify that the magazine is positively locked to the camera body.

Follow the same procedure to change from the PM 90 to any other suitable viewfinder.

To release the magazine, insert the magazine dark slide and depress the catch release button (2).

NOTE: Avoid accidental release of the magazine caused by unintentional depressing of the magazine release button when you are handling your equipment with the magazine slide inserted.

Changing the eyepiece

You can compensate for your individual eyesight by replacing the standard eyepiece with one with corrective power. Please refer to the chart on page 14 for the product numbers on the corrective eyepieces with different powers. The corrective power in diopters is read in the left hand column and the corresponding product catalog number in the right hand column. Consult your optician to find the suitable eyepiece.

Follow the procedure below to replace the eyepiece.

1. Unscrew the standard eyepiece by rotating it counter-clockwise. Keep the rubber eye-cup or cushion ring on to get a better grip on the eyepiece.
2. Put the eye-cup or cushion ring onto the replacement eyepiece and screw it into the viewfinder housing by rotating it clockwise until it stops. Make sure that it engages properly in the thread. Do not use excessive force!

Eyepiece
Okular
Oculaire
Ocular



Marking
Bezeichnung
Marquage
Marcación

+ 3	42412
[+ 2]	42423
+ 1	42420
0 NEUTRAL	42411
- 1	42418
- 2	42415
- 3	42414
- 4	42413

VICTOR HASSELBLAD AB

Incentive Group

P.O. Box 220, S-401 23 GÖTEBORG, Sweden

Copyright © Victor Hasselblad AB 1988. All rights reserved.
42288 Printed in Sweden DR TRVCK 1 5 1995